

## ■ COPYRIGHT

This publication, including all photographs, illustrations and software, is protected under international copyright laws, with all rights reserved. Neither this manual, nor any of the material contained herein, maybe reproduced without written consent of the author.

© Copyright 2014

---

## ■ DISCLAIMER

The information in this document is subject to change without notice. The manufacturer makes no representations or warranties with respect to the contents hereof and specifically disclaims any implied warranties of merchantability or fitness for any particular purpose. The manufacturer reserves the right to revise this publication and to make changes from time to time in the content hereof without obligation of the manufacturer to notify any person of such revision or changes.

## ■ IMPORTANT SAFETY INFORMATION

Important: It is strongly recommended that you read this section carefully before using the projector. These safety and usage instructions will ensure that you enjoy many years of safe use of the projector. Keep this manual for future reference.

---

## ■ SYMBOLS USED

Warning symbols are used on the unit and in this manual to alert you of hazardous situations. The following styles are used in this manual to alert you to important information.

### **WARNING**

- Alerts you to situations that may damage the unit, create a hazardous environment, or cause personal injury.
- Throughout this manual, component parts and items in the OSD menus are denoted in bold font as in this example:
- “Push the Menu button on the remote control to open the Main menu.”

### **General Safety Information**

- Do not place the unit on an unstable surface, cart, or stand.
- Avoid using the system near water, in direct sunlight, or near a heating device.
- Do not place heavy objects such as books or bags on the unit.
- Do not watch the lens directly (Specially children) it is bad for your eyes .

### **Projector Installation Notice**

- Place the projector in a horizontal position.
- Ensure that the intake vents do not recycle hot air from the exhaust vent.
- When operating the projector in an enclosed space, ensure that the surrounding air temperature within the enclosure does not exceed operation temperature while the projector is running, and the air intake and exhaust vents are unobstructed.
- All enclosures should pass a certified thermal evaluation to ensure that the projector does not recycle exhaust air, as this may cause the device to shut down even if the enclosure temperature is within the acceptable operation temperature range.

### **Power safety**

- Only use the supplied power cord.
- Do not place anything on the power cord.
- Ensure the voltage matches with projector.
- Remove the batteries from the remote control when storing or not in use for a prolonged period.



## **INTRODUCTION**

---

Projector Features  
Package Checklist  
Optional Components

### **PROJECTOR PART LOCATIONS**

- Projector Parts – Front/Top
- Projector Parts – Rear
- Projector Parts – Interface Ports
- Projector Parts – Base
- Projector Parts – Control Panel
- Projector Parts – Remote Control

## **INSTALL PROJECTOR**

---

Projector Placement  
Projector Distance  
Projector connections

- Connecting to a Computer for VGA Video
- Connecting to a Computer for HDMI Video and Audio

## **OPERATE PROJECTOR**

---

Turning the Projector on and off  
Selecting the Language for the Projector Menus  
Setting the Screen Type  
Adjusting the Image Size  
Adjusting the Image Position Using Lens Shift  
Adjusting the Image Height  
Resizing the Image With the Zoom Ring  
Remote Control Operation  
Image Aspect Ratio

- Changing the Image Aspect Ratio
- Available Image Aspect Ratios

Controlling Volume with the volume buttons  
Setting the data and time  
Menu Instruction

## **MAINTAINING PROJECTOR**

---

Cleaning the lens  
Cleaning the projector case  
Replacing the remote control batteries  
Transporting the projector



## **SOLVING PROBLEMS**

Common problems and Solutions  
"No Signal" Message Appears

### **Image Problems**

No image appears on the screen  
The image is blurred  
The image is wider at the top or bottom (trapezoid effect)  
The image is reversed  
The image is streaked  
The image is flat with no contrast

### **Remote Control Problems**

The projector does not respond to the remote control

### **Sound Problem**

There is no sound  
The sound is distorted  
Having the projector serviced

## **Technical Specification**

## **NOTICE**

FCC Compliance Statement  
CE Compliance Statement  
Safety Certifications



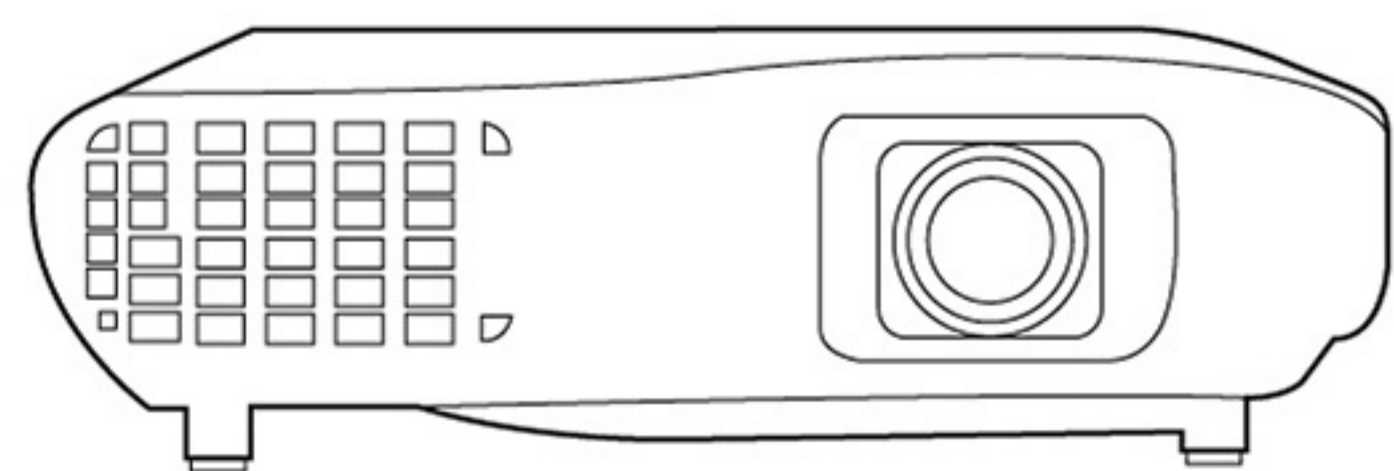
# INTRODUCTION

## Projector features

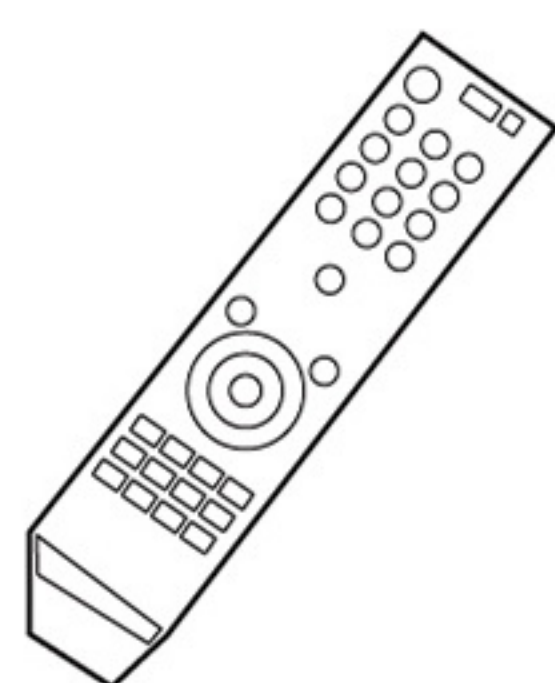
Our projectors integrates high-performance optical engine of projection technology and a user-friendly design to deliver high reliability and easy of use.

- 1.1920 x 1080P FULL HD.
2. 3LED+3LED making Red, Green, Blue Color can be adjusted individually to reach the optimum color for different Viewer;
3. LED Bulb Life is very long: 50,000 Hours, No extra cost to replace the lamp;
4. Optical lens helps the user zoom in/out image at the most suitable position without moving the machine;
5. Optical lens allow vertical and horizontal adjusting with 0 loss from the original image.
- 6.Support numerous languages on-screen menus
- 7.Built-in speakers for stereo audio

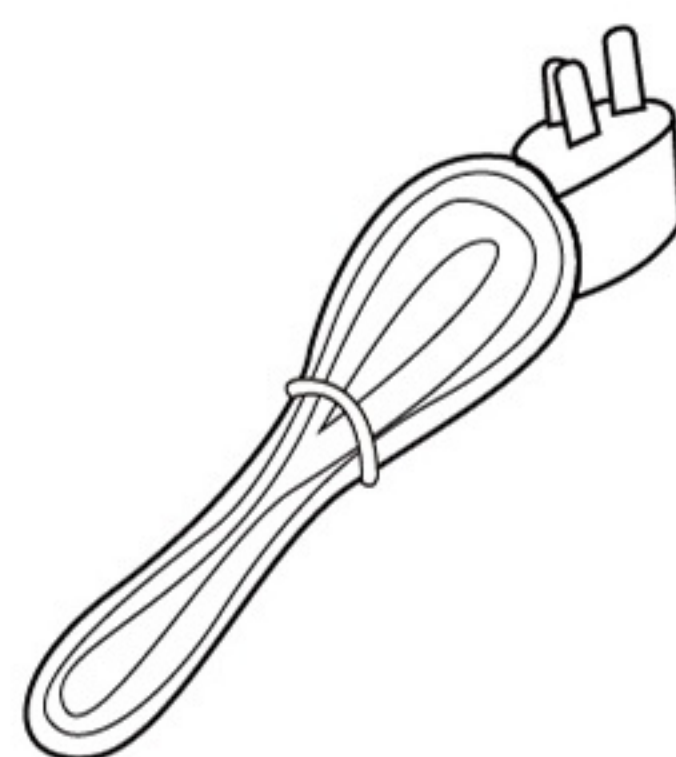
## Package checklist



Projector with standard zoom lens



Remote control



Power cable

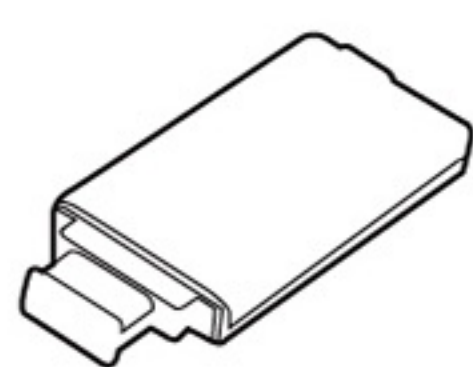


Instruction manual

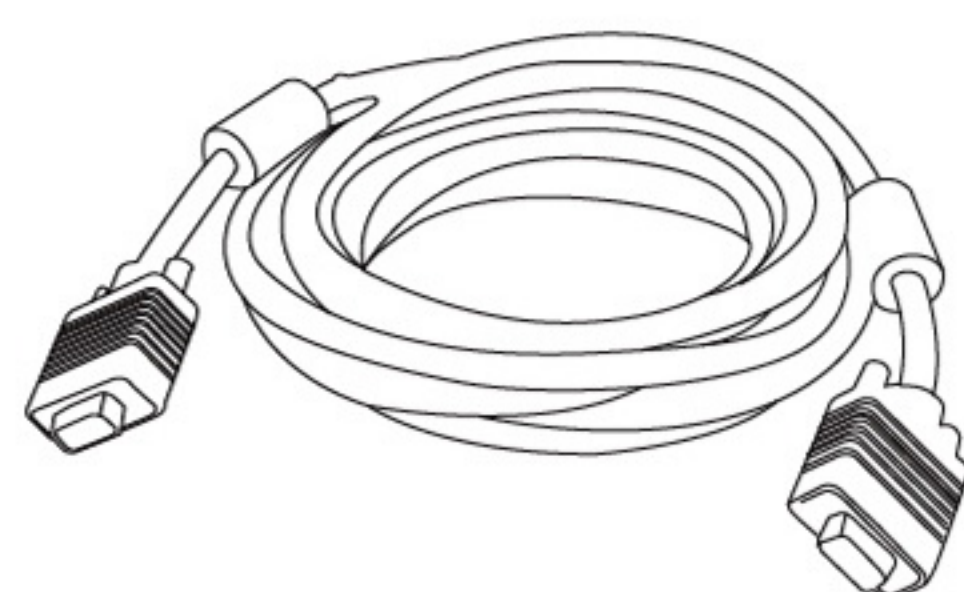


Screws for ceiling mount

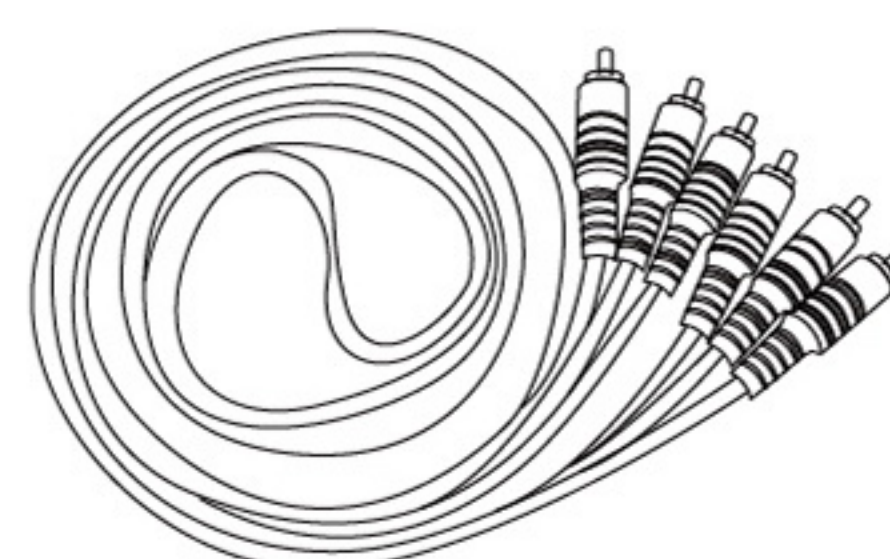
## Optional components



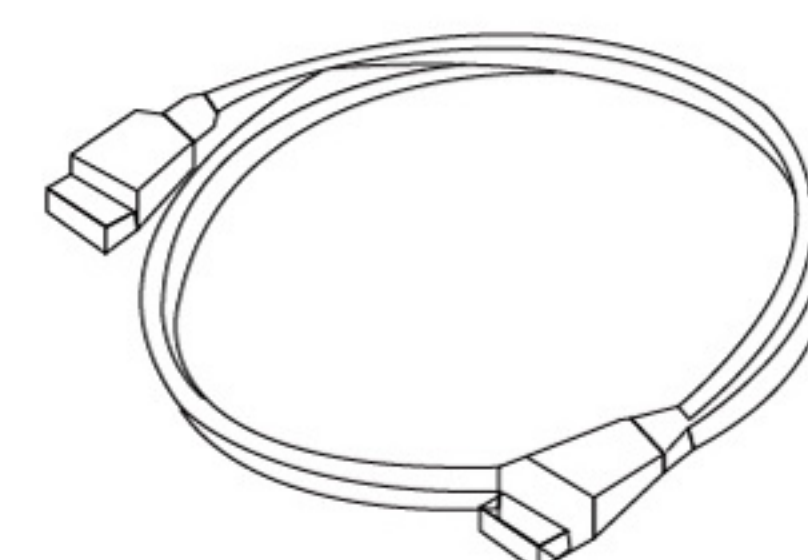
Wireless Display Dongle  
/External Android Stick



VGA



AV



HDMI

Depending on how you use the projector, you may need to obtain the following components:

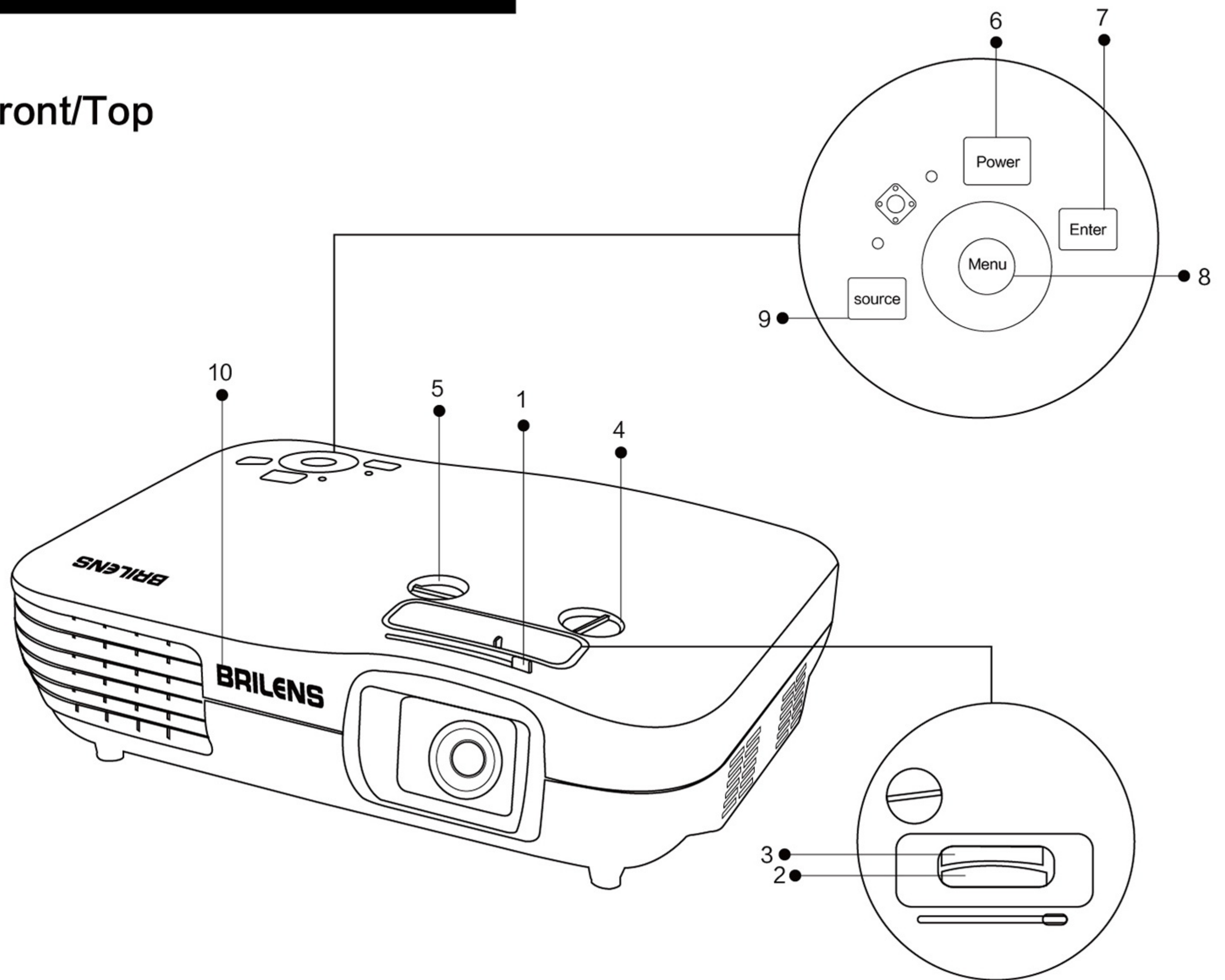
- To connect computer or cellphone without any cord, you need a WIFI Display Dongle
- To connect Internet, you need a External Android Stick.
- To connect a computer through its VGA port to the projector. You need a VGA cable or adapter..
- To receive a composite video signal, you need an AV cable compatible with your device.
- To receive an HDMI signal, you need a compatible HDMI cable.



# PROJECTOR PART LOCATIONS

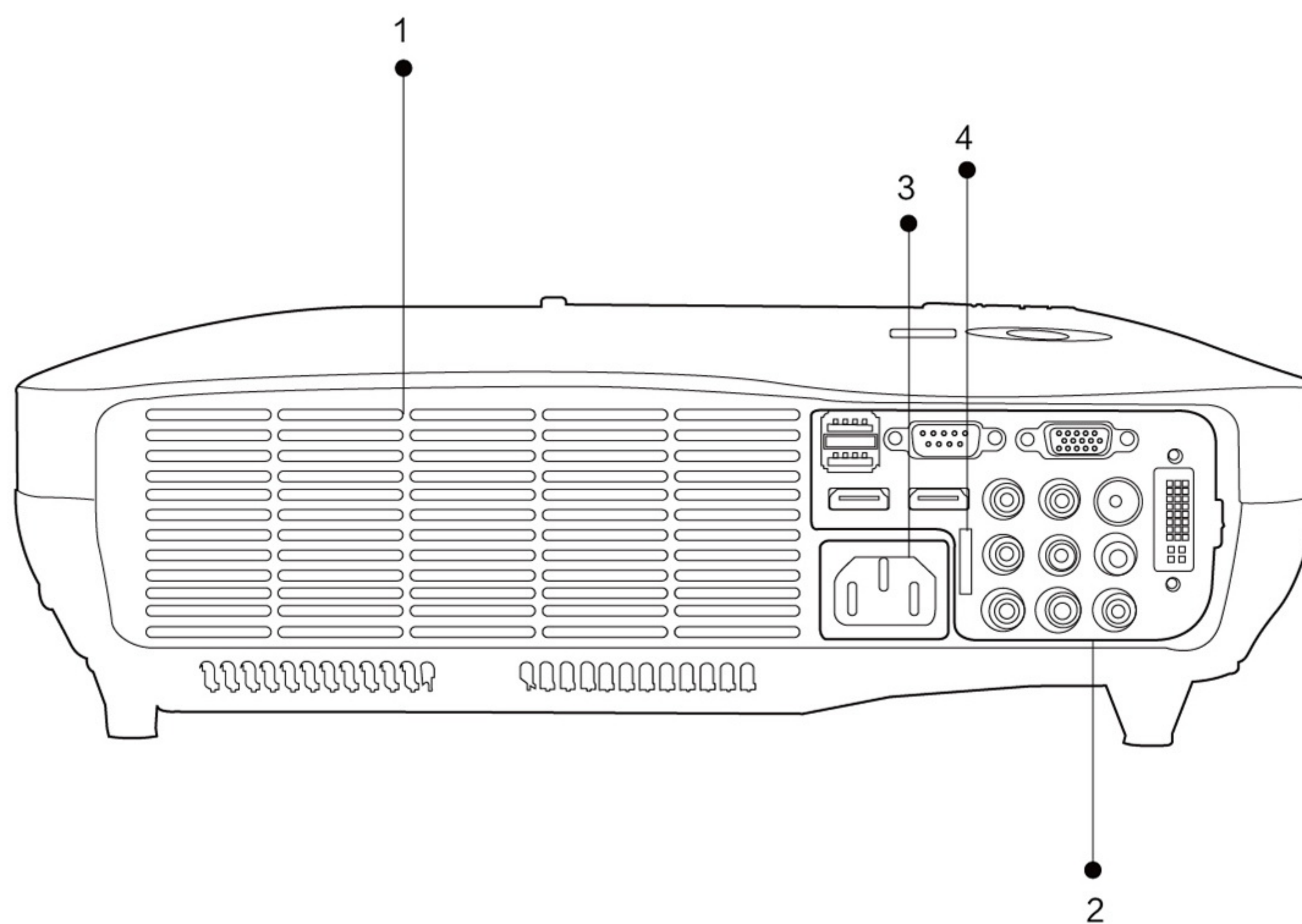
## Projector Parts – Front/Top

1. Lens shift dial lock
2. Focus ring
3. Zoom ring
4. Vertical Lens shift
5. Horizontal Lens shift
6. Power switch
7. Enter button
8. Menu button
9. Signal source
10. Company logo
11. IR receiver



## Projector Parts – Rear

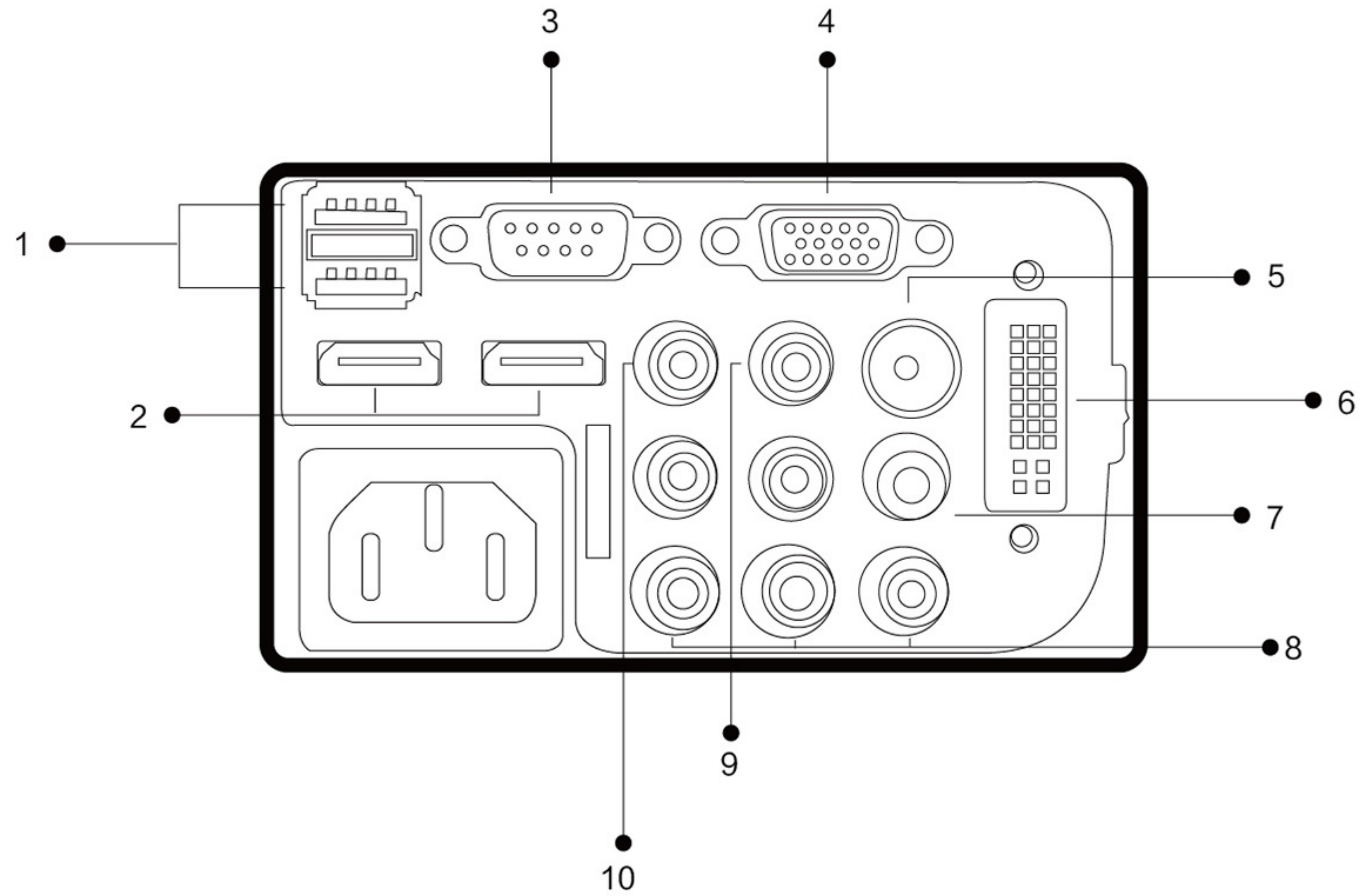
1. Double Fan
2. Interface port
3. Power supply
4. SD card (OPTIONAL)





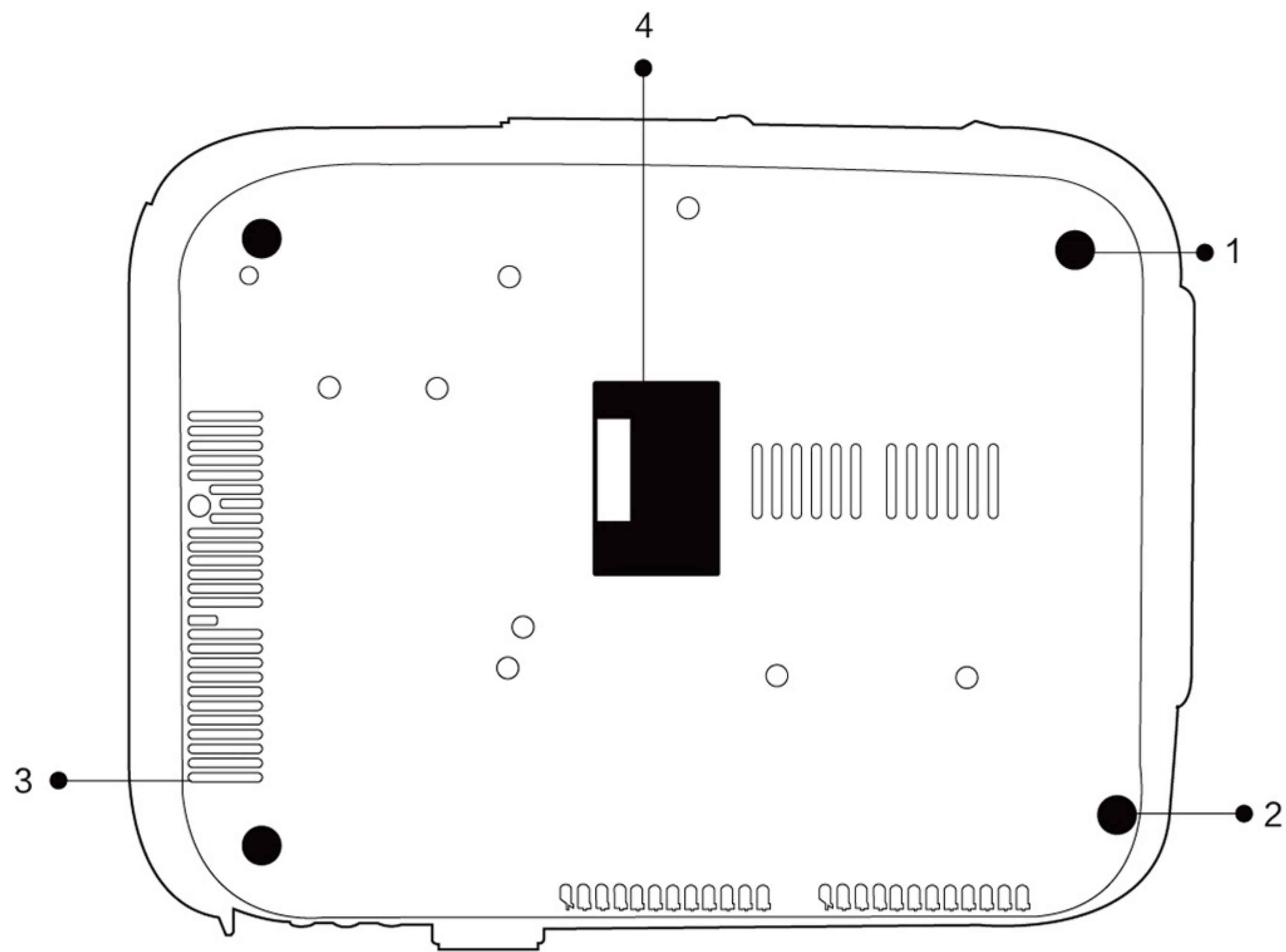
## Projector Parts – Interface Ports

- 1.USB x2
- 2.HDMI x 2
- 3.RS232
- 4.VGA
- 5.TV in
- 6.DVI 24+1/5
- 7.Audio in
- 8.3RCA/YPbPr
- 9.Audio out
- 10.Video in



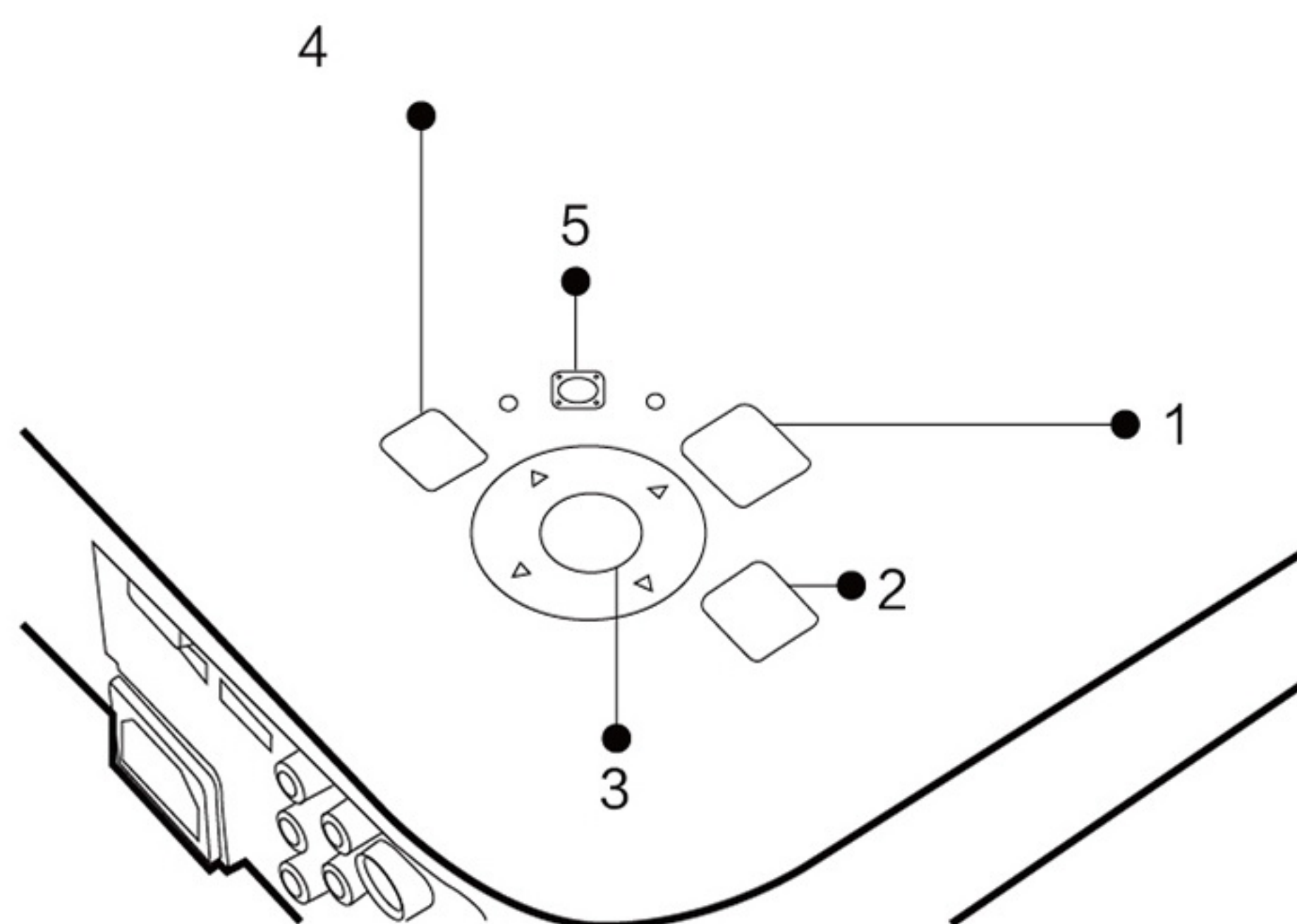
## Projector Parts – Base

- 1.Front feet
- 2.Rear feet
- 3.Vent
- 4.Product item number



## Projector Parts – Control Panel

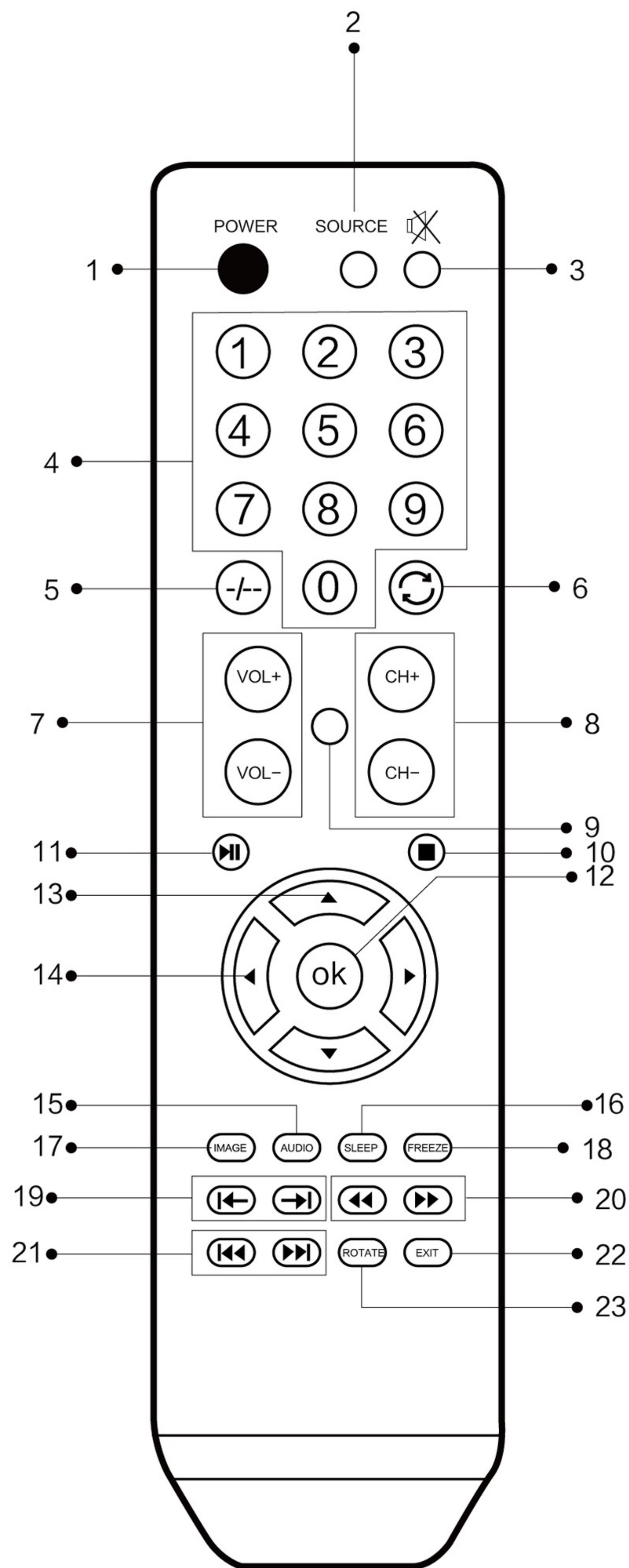
- 1.Power
- 2.Enter button
- 3.Menu button
- 4.Signal Source button
- 5.IR receiver





## Projector Parts – Remote Control

- 1.Power button
- 2.Source button
- 3.Mute button
- 4.Number button(Enter button )
- 5.Single and Double channel switch button
- 6.Back button
- 7.Volume +/- button
- 8.Channel +/- button
- 9.Mute button
- 10.Stop button
- 11.Play/Pause button
- 12.Ok button
- 13.up/down arrow button
- 14.Right/Left arrow button
- 15.Audio button
- 16.Sleep button
- 17.Image button
- 18.Freeze button
- 19.Previous/Next Song button
- 20.Fast Forward/Backward button
- 21.Page up/down button
- 22.Exit button
- 23.Rotate button





# INSTALL PROJECTOR

## Projector placement

- You can place the projector on almost any flat surface to project an image.
- You can also install the projector in a ceiling mount if you want to use it in a fixed location.

### Caution:

- Place the projector on a sturdy, level surface or install it using a compatible mount.
- Leave plenty of space around and under the projector for ventilation, and do not place anything that could block the vents.

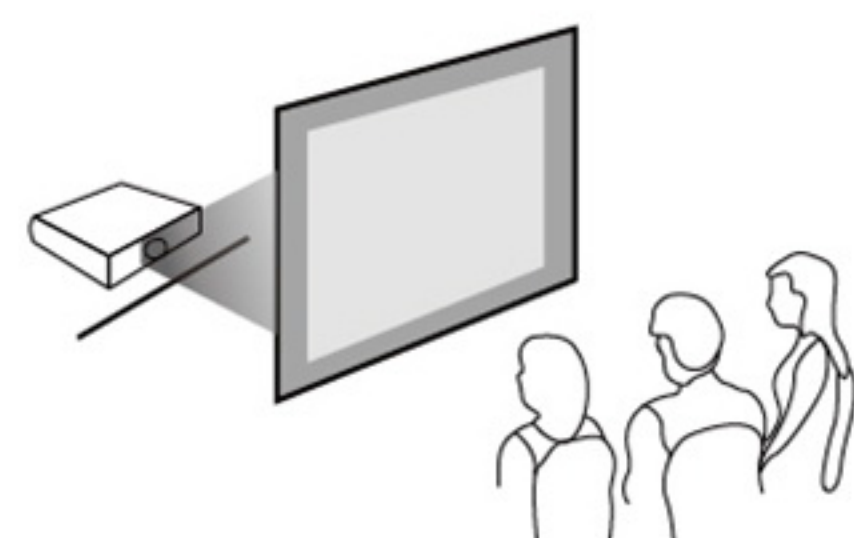
## Projector setup and installation options:

### Ways of installation

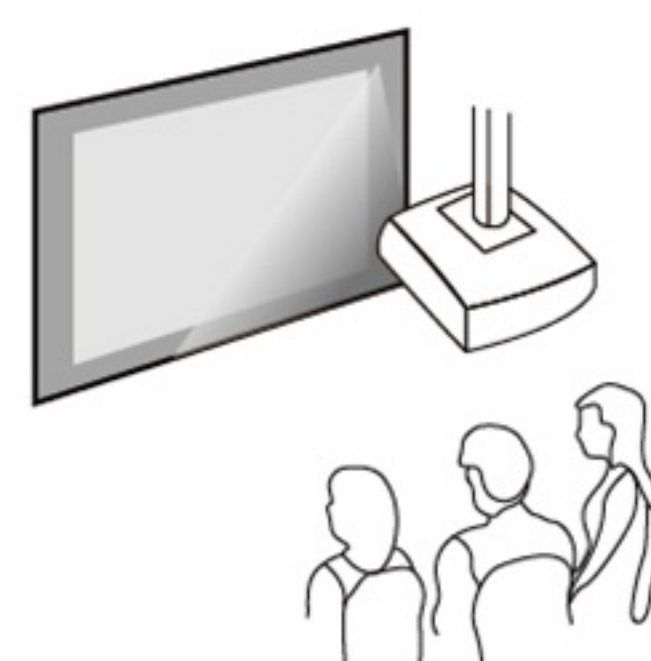
Front



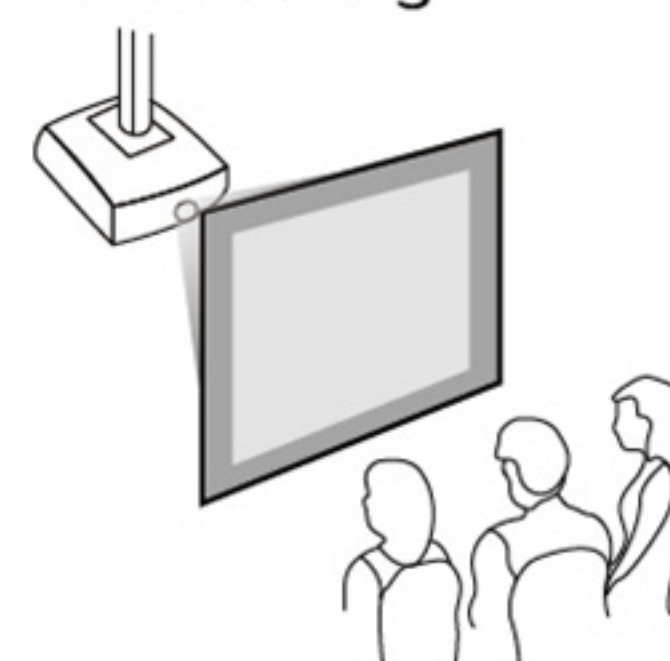
Rear



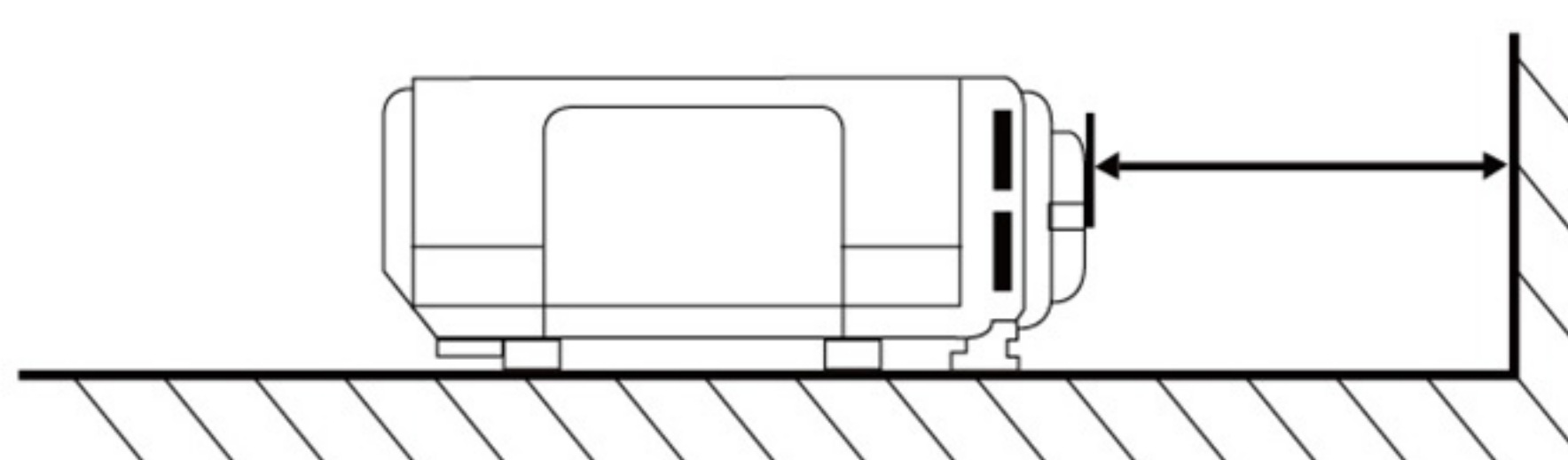
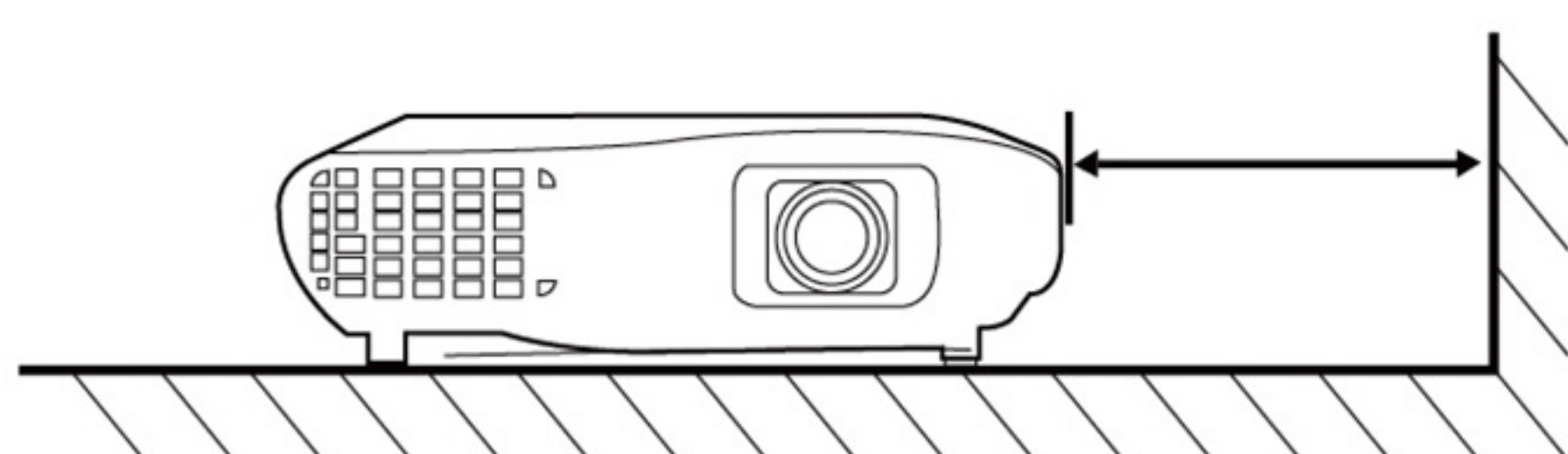
Front ceiling



Rear ceiling

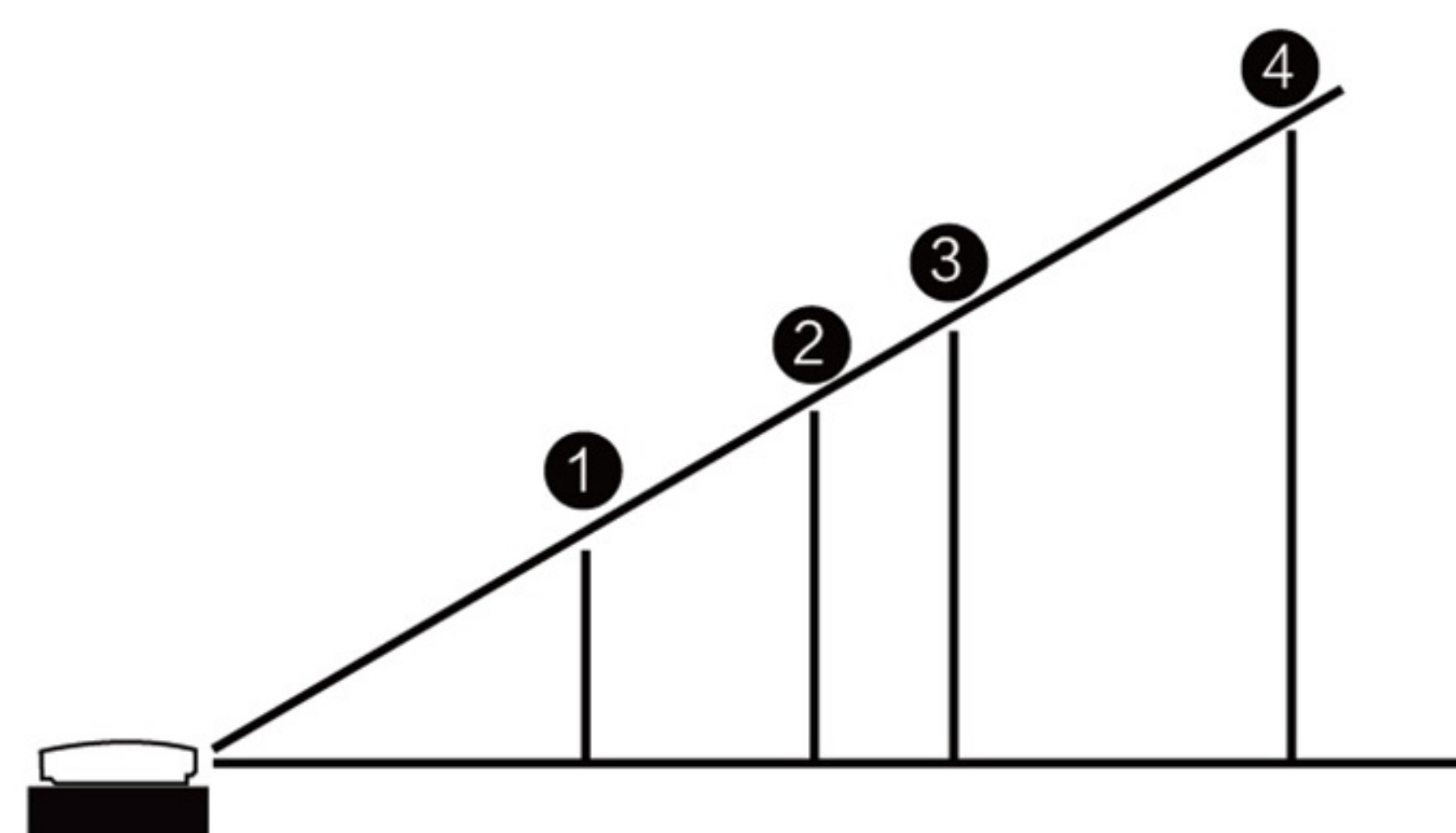


**Note:** Leave at least 20 inches (50 cm) of space in front of air exhaust and intake vents when setting up multiple projector, 20 inches (50 cm) of space between the projector.



## Projector Distance

The distance at which you place the projector from the screen determines the approximate size of the image. The image size increases the farther the projector is from the screen, but can vary depending on the zoom factor, aspect ratio, and other settings.



## Standard Zoom Lens--16:9 Aspect Ratio

	Projection distance	Screen or image size
01	2.60~3.00m	100 inch
02	3.12~3.15m	100 to 120 inch
03	3.75~3.90m	120 to 150 inch
04	7~8m	250inch(Max size)



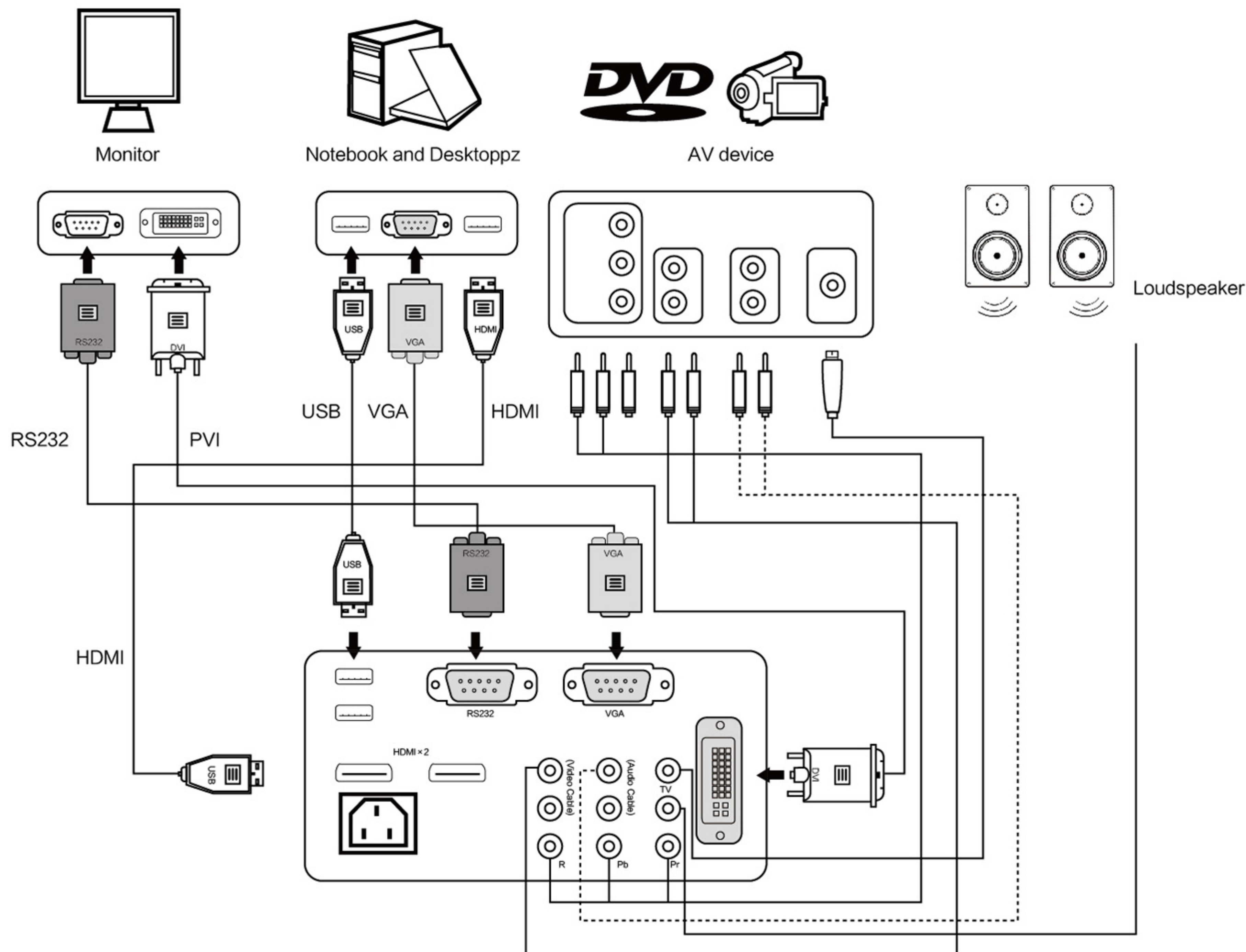
## Projector connections

Connecting signal source to projector, you must confirm:

1. Turn off all adapters before connecting.
2. Using the corresponding cable to receive each signal.
3. Ensure the cable is plugged firmly.

As shown in the following interface, part of the cable may not be included in the original package. Please contact the dealer for purchasing information.

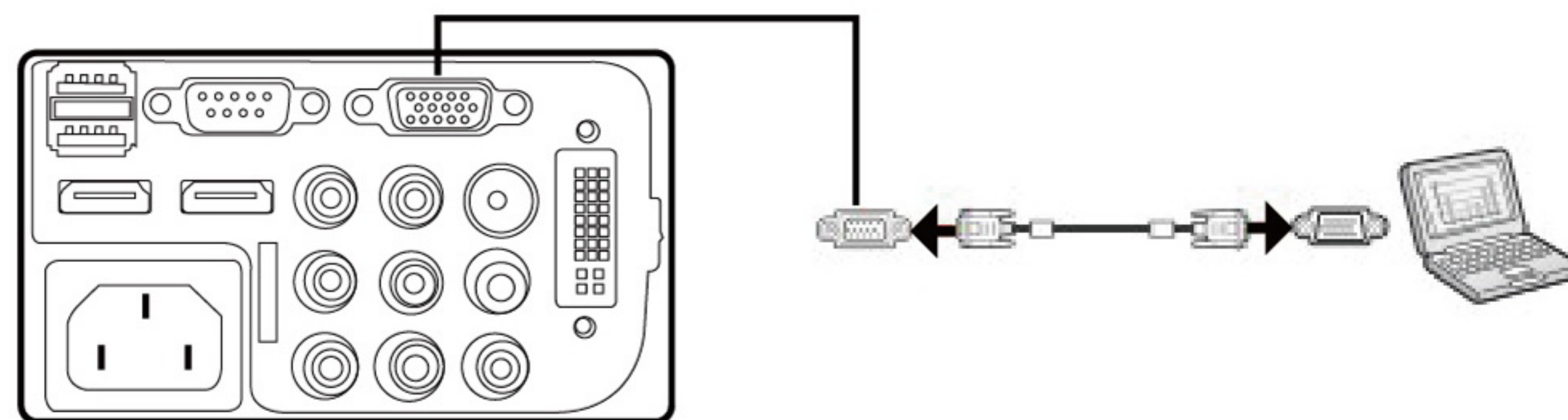
The connection graph just for your reference on the below. The projector of different models have different multimedia interfaces on the back.



## Connecting to a Computer for VGA Video

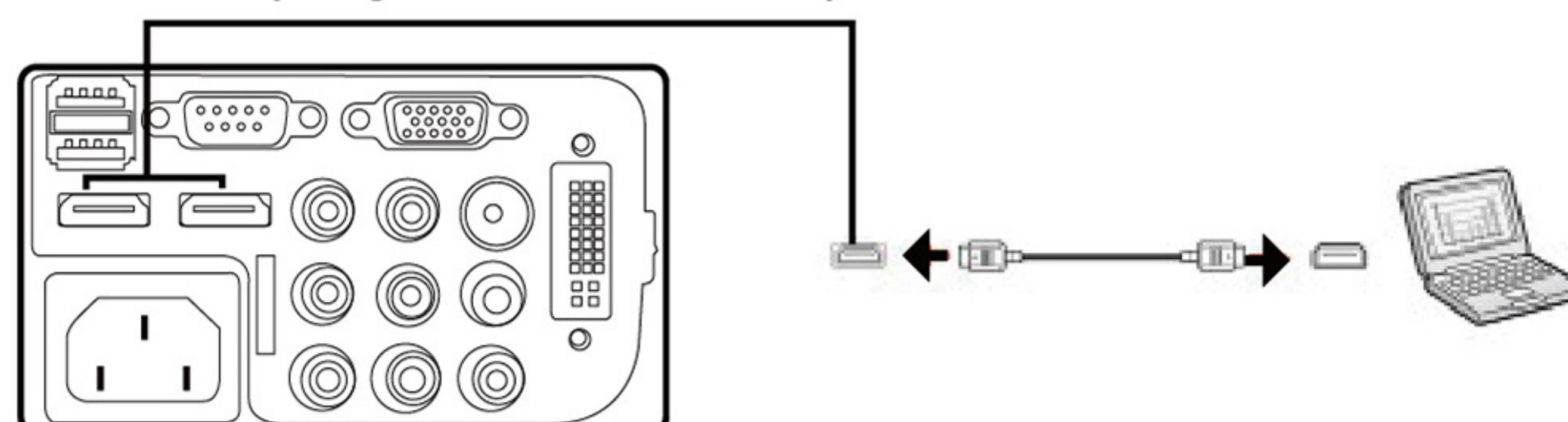
You can connect the projector to your computer using a VGA computer cable.

1. If necessary, disconnect your computer's monitor cable.
2. Connect the VGA computer cable to your computer's monitor port.
3. Connect the other end to a Computer port on the projector.
4. Tighten the screws on the VGA connectors



## Connecting to a Computer for HDMI Video and Audio

1. Connect the HDMI cable to your video source's HDMI output port.
2. Connect the other end to the projector's HDMI port.





# OPERATE PROJECTOR

## Turning the Projector on and off

1. Connect the power cord to the projector. Connect the other end to a wall outlet. The **POWER LED** on the projector light.
2. Turn on the connected devices.
3. Ensure the POWER LED is not flashing. Then press the POWER button to turn on the projector.
4. If more than one input device is connected, press the SOURCE button and use ▲▼ to scroll among the devices.
5. To turn the projector off, press the POWER button. When the “Power Off? Press Power again” message appears, press the POWER button. The projector turns off.

**Note:** With Direct Power On turned on, the projector turns on as soon as you plug it in.  
**Warning:** Never look into the projector lens when the lamp is on. This can damage your eyes and is especially dangerous for children and pets.

**WARNING** Never look into the projector lens when the lamp is on. This can damage your eyes and is especially dangerous for children and pets.

## Selecting the Language for the Projector Menus

1. Press the Menu button.
2. Select the Options menu and press OK.
3. Select the OSD Language setting and press OK.
4. Select the language you want to use then press OK.
5. Press Menu or EXIT button to return.

## Setting the Screen Type

You can use the Screen Type setting to match the aspect ratio of the displayed image to the screen being used.

1. Turn on the projector and display an image.
2. Press the Menu button.
3. Select Picture > Aspect Ratio , then choose the Screen type you need.
4. When you are finished, press the Exit or Menu button to return.

## Adjusting the Image Size

You can adjust the image size if there are beyond between the edge of the image and the projected screen frame.

1. Turn on the projector and display an image.
2. Press the Menu button.
3. Select Picture > Screen > Reduce Display Size.
4. When you are finished, press the Exit or Menu button to return



## Adjusting the Image Position Using Lens Shift

If the projector cannot be installed directly in front of the screen, you can adjust the position of the projected image using the lens shift dials

1. Turn on the projector and display an image.
2. Slide the lens shift dial lock to release the lock .
3. Turn the vertical and horizontal lens shift dials on the projector to adjust the position of the projected image as necessary.

Follow these guidelines when using lens shift to adjust your images:

1. When adjusting the image height, position the image lower than where you want it to be and then move it up using the vertical lens shift dial. This will help prevent the image from moving down after adjustment.
2. Keeping the vertical and horizontal lens shift dials in their center positions produces the clearest picture.

## Adjusting the Image Height

If you are projecting from a table or other flat surface, and the image is too high or low, you can adjust the image height using the projector's adjustable feet.

1. Turn on the projector and display an image.
2. To adjust the image height, rotate the front foot to extend or retract it
3. If the image is tilted, rotate the rear feet to adjust their height.

If the projected image is unevenly rectangular, you need to adjust the image shape with Vertical Lens Shift or Horizontal Lens Shift Dials on the control panel.

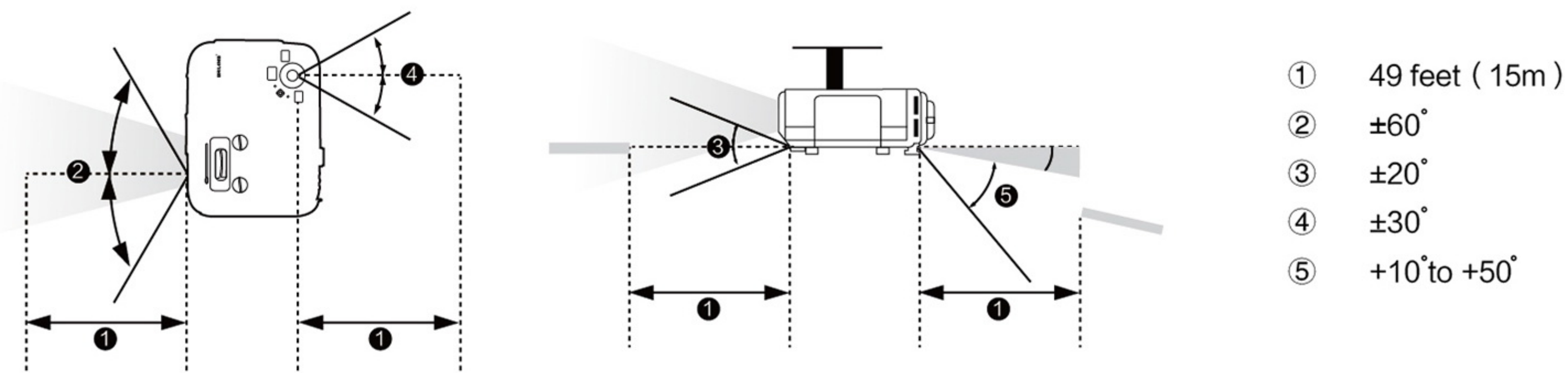
## Resizing the Image With the Zoom Ring

1. Turn on the projector and display an image.
- Note: You can display a pattern to aid in adjusting the projected image using the Settings menu.
2. To enlarge or reduce the image size, rotate the projector's zoom ring.

## Remote Control Operation

The remote control lets you control the projector from almost anywhere in the room, up to 49 feet (15 m) away. You can point it at the front or rear of the projector.

Make sure that you aim the remote control at the projector's receivers within the angles listed here.



**Note:** Avoid using the remote control in conditions with bright fluorescent lights or in direct sunlight, or the projector may not respond to commands. If you will not use the remote control for a long time, remove the batteries.



# IMAGE ASPECT RATIO

## Changing the Image Aspect Ratio

You can change the aspect ratio of the displayed image to resize it.

**Note:** Set the Screen Type setting in the projector's Extended menu before changing the aspect ratio.

1. Turn on the projector and switch to the image source you want to use.
2. Press the Menu button on the remote control or control panel, then choosing Aspect Ratio to change the Image Aspect Ratio.

**Note:** The shape and size of the displayed image changes, and the name of the aspect ratio appears briefly on the screen.

## Available Image Aspect Ratios

You can select the following image aspect ratios, depending on the selected Screen Type setting and the input signal from your image source.

**Note:** Black bands and cropped images may project in certain aspect ratios, depending on the aspect ratio and resolution of your input signal.



# MENU INSTRUCTION

Main Menu	Submenu	Submenu Items
Picture	Picture Mode	Dynamic/Standard/Mild/User (Contrast,Brightness,Color,Sharpness)
	Color Temperature	Medium/Warm/Cool/User(Red,Blue,Green)
	Aspect Ratio	Auto/4:3/16:9/Zoom1/Zoom2/Just Scan /Panorama/Point To Point
	Noise Reduction	Off/Low/Middle/High/Default
	Project Direction	Front/Rear on Ceiling; Front/Rear on Desk
	Physical Color	Red,Blue,Green
	PC/AV Mode	PC/AV
	Reduce Display Size	Reduce1/Reduce2/Reduce3/Reduce4/Reduce5
Sound	Sound Mode	Sports/Standard/Music/Movie/User(Treble,Bass)
	Balance	Volume- /Volume+
	Auto Volume	On/Off
	Surround Sound	Off/Surround/SRS TruSrround XT
	EQ	120Hz 80/500Hz 80/1.2KHz 80/7.5KHz 80/12KHz 80
Time	Clock	Day/Month/Year/Hour/Minute
	Off Time	Off/Once/Every Day/Mon.-Fri/Mon.-Sat/Sat.-Sun/Sunday
	On Time	Off/Once/Every Day/Mon.-Fri/Mon.-Sat/Sat.-Sun/Sunday
	Sleep Timer	Off/10Mins/20Mins/30Mins/60Mins/90Mins/120Mins /180Mins/240Mins
	Auto Sleep	On/Off
Options	OSD Language	English/Dansk/Italiance/Francais/Magyar/Chinese.etc
	Restore Factory Default	YES/NO
	Color Range	0-255/16-235
	Blue Screen	On/Off
	OSD Blend	-/+
	Temperature	Temp.Red/Temp.Blue/Temp.Green
	Software Update(USB)	Detect USB



## MAINTAINING PROJECTOR

### Cleaning the lens

Clean the projector's lens periodically, or whenever you notice dust or smudges on the surface.

- 1.To remove dust or smudges, gently wipe the lens with lens-cleaning paper.
- 2.To remove stubborn smudges, moisten a soft, lint-free cloth with lens cleaner and gently wipe the lens. Do not spray any liquid directly on the lens.

**WARNING** Do not use a lens cleaner that contains flammable gas. The high heat generated by the projector lamp may cause a fire.

**CAUTION:** Do not use glass cleaner or any harsh materials to clean the lens and do not subject the lens to any impacts; you may damage it. Do not use canned air, or the gases may leave a residue. Avoid touching the lens with your bare hands to prevent fingerprints on or damage to the lens surface.

### Cleaning the Projector Case

Before cleaning the projector case, turn off the projector and unplug the power cord.

- 1.To remove dust or dirt, use a soft, dry, lint-free cloth.
- 2.To remove stubborn dirt, use a soft cloth moistened with water and mild soap. Do not spray liquid directly on the projector.

**CAUTION:** Use only the type of batteries specified in this manual. Do not install batteries of different types, or mix new and old batteries.

### Replacing the remote control batteries

The remote control uses two AA manganese or alkaline batteries. Replace the batteries as soon as they run out.

**CAUTION:** Use only the type of batteries specified in this manual. Do not install batteries of different types, or mix new and old batteries.

- 1.Open the battery cover
- 2.Remove the old batteries

**WARNING** If the battery fluid has leaked, wipe it away with a soft cloth and avoid getting the fluid on your hands. If it gets on your hands, wash them immediately to avoid injury.

- 3.Insert the batteries with the + and - ends facing



4. Close the battery cover and press it down until it clicks into place.

**WARNING** Dispose of used batteries according to local regulations. Do not expose batteries to heat or flame. Keep batteries out of the reach of children; they are choking hazards and are very dangerous if swallowed.

## Transporting the projector

The projector contains precision parts, some of which are glass. Follow these guidelines to transport or ship the projector safely:

1. Remove any equipment connected to the projector.
2. Do one of the following:
3. If you are using the standard zoom lens, keep it installed on the projector.
4. If you are using an optional lens unit, remove it from the projector.
5. If the projector did not come with a lens, attach the cover that was included with the projector to the lens mount.
6. When transporting the projector a long distance or as checked luggage, pack it in a firm box with cushioning around it and mark the box "Fragile."

## Solving Problems

### Common Problems And Solutions

These guidelines provide tips to deal with problems you may encounter while using the projector. If the problem remains unsolved, contact your dealer for assistance. After spending time troubleshooting, the problem can often be traced to something as simple as a loose connection. Check the following before proceeding to the problem-specific solutions.

1. Use some other electrical device to confirm that the electrical outlet is working.
2. Ensure the projector is turned on.
3. Ensure all connections are securely attached.
4. Ensure the attached device is turned on.
5. Ensure a connected PC is not in a suspended mode.
6. Ensure a connected notebook computer is configured for an external display.

### "No Signal" Message Appears

If the "No Signal" message appears, try the following solutions:

1. Press the Source button and wait a few seconds for an image to appear.
2. Turn on the connected computer or video source, and press its play button to begin your presentation, if necessary.
3. Check the connection from the projector to your video sources.
4. If you are projecting from a laptop computer, make sure it is set up to display on an external monitor.
5. If necessary, turn the projector and the connected computer or video source off and then on again.



## IMAGE PROBLEMS

### **Problem: No image appears on the screen**

1. Verify the settings on your notebook or desktop PC.
2. Turn off all the equipment and power everything up again. The projector should be turned on last.

### **Problem: The image is blurred**

1. Adjust the Focus on the projector.
2. Press the Image button on the remote control.
3. Ensure the projector-to-screen distance is within the specified range.
4. Check that the projector lens is clean.

### **Problem: The image is wider at the top or bottom (trapezoid effect)**

1. Position the projector so it is as perpendicular to the screen as possible.
2. Use the Vertical or Horizontal Lens Shift Dials on the control panel to correct the problem.

### **Problem: The image is reversed**

Check the Projection setting on the Picture menu > Project Direction of OSD.

### **Problem: The image is streaked**

1. Set the Frequency and Tracking settings on the Image->Computer menu of the OSD to the default settings.
2. To ensure the problem is not caused by a connected PC's video card, connect to another computer.

### **Problem: The image is flat with no contrast**

1. Adjust the Contrast setting on the Picture menu > Aspect Ratio of the OSD.
- Problem: The color of the projected image does not match the source image.
2. Adjust the Color Temperature on the Options menu > Temperature of the OSD.

## **Remote Control Problems**

### **Problem: The projector does not respond to the remote control**

1. Direct the remote control towards remote sensor on the front of the projector.
2. Ensure the path between remote and sensor is not obstructed.
3. Turn off any fluorescent lights in the room.
4. Check the battery polarity.
5. Replace the battery.
6. Turn off other infrared-enabled devices in the vicinity.
7. Replace the remote control.



## SOUND PROBLEMS

### Problem: There is no sound

1. Adjust the volume on the remote control or control panel.
2. Press the Source button to switch to the correct input source, if necessary.
3. Check your computer or video source to make sure the volume is turned up and the audio output is set for the correct source.
4. Check the audio cable connections between the projector and your video source.
5. Test the source audio output with other speakers.
6. Have the projector serviced.

### Problem: The sound is distorted

1. Check the audio cable connection.
2. Test the source audio output with other speakers.
3. Have the projector serviced.

If you are unable to solve the problem, you should have the projector serviced.

Pack the projector

in the original carton and contact BRILENS Support at [www.brilens.com](http://www.brilens.com) or call us.



# TECHNICAL SPECIFICATION

Specification–TL1920	
Native Resolution	1920x1080 native Full HD 1080P
Brightness(Max)	5000 lumens
Contrast	100,000:1
Display Technology	EPSON 0.74inch HTPS Module 3*LCD
Light Source	Lumi CG-80 , R.G.B 3*LED
LED Bulb & Bulb life	R.G.B 3LED 98Watts & 50,000 Hours
Patent Optical Engine	Full Sealed & Dustproof
Projection Lens	F#1.6,Zoom1.0~1.3 ( From Japan )
Light uniformity	90%
Project Ways	Front/ Desk /Rear / Ceiling Mounted
Noise / Power Supply	26dB / AC 90–130V or 220–250V ,50–60Hz ,98Watts
Red/Green /Blue LED	Stepless adjustment
Lens Shift	Vertical –60%~+100% / Horizontal –12%~+12%
Screen Size/Project Distance	50"–250" inch / 1.5 –12m
Unit Size / Net Weight	345*268*95MM (LxWxH) / 3.5KGS
Multimedia Interface	HDMIx2 , USBx2, VGA ,RS232,3RCA ,DVI,ATV,Audio-out,Audio-in
Languages	Support 23 Languages
Video Compatibility	480p/575i/480i/720p/1080i/1080p 3D support







# NOTICE

## FCC Compliance Statement

---

This equipment has been tested and found to comply with the limits for a Class B digital device pursuant to Part 15 of the FCC Rules. These limits are designed to provide reasonable protection against harmful interference when the equipment is operated in a commercial environment.

This equipment generates, uses, and can radiate radio frequency energy and, if not installed and used in accordance with the instruction manual, may cause harmful interference to radio communications. Operation of this equipment in a residential area is likely to cause harmful interference in which case the user will be required to correct the interference at his/her own expense.

Changes or modifications not expressly approved by the parties responsible for compliance could void the user's authority to operate the equipment.

### **CE Compliance Statement**

The projectors complies with European Conformity.

### **Safety Certifications**

FCC,CE,ROHS,CCC,Q/ACTN

**BRILENS**<sup>TM</sup>